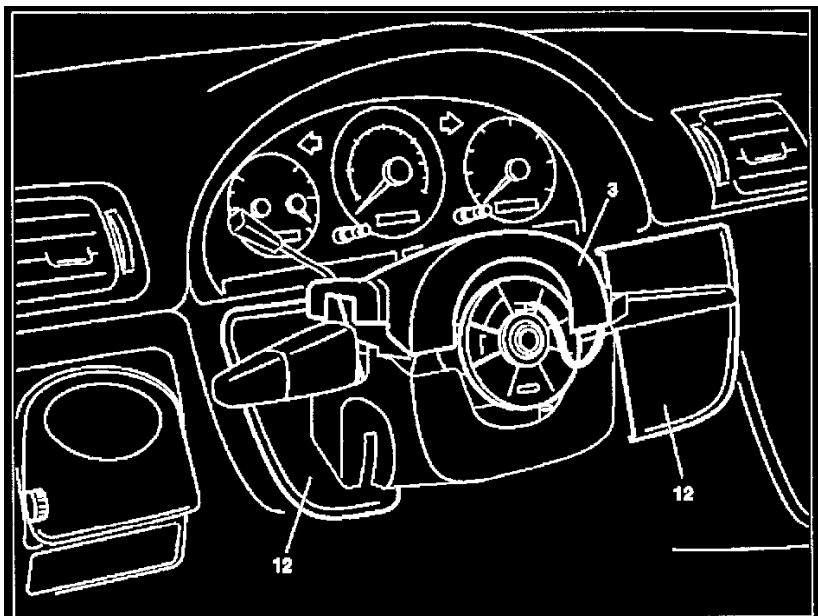


Instrument Cluster / Carrier: Service and Repair

AR54.30-P-6015GH Remove/Install Instrument Cluster

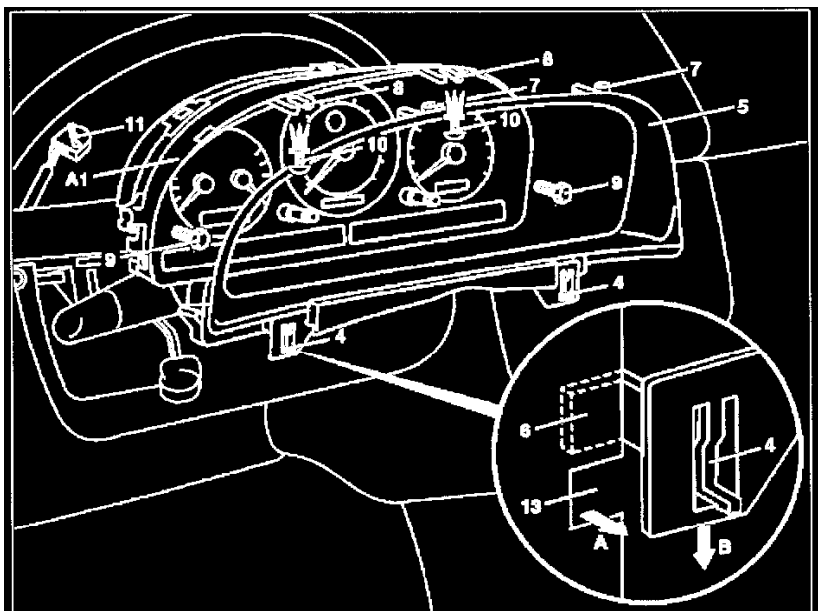
Remove Instrument Cluster



Steering wheel removed for clarity

P54.25-2680-06

- 3 Upper steering column cover
12 Side covering



Steering wheel removed for clarity

P54.30-0630-06

- | | |
|----------|-----------------------|
| 4 Clips | 9 Screw |
| 5 Frames | 10 Spreading clips |
| 6 Hook | 11 Connector |
| 7 Lug | 13 Mount |
| 8 Mount | A1 Instrument cluster |

Remove, Install

- 1 Disconnect ground cable of battery

CAUTION: To prevent unintended contact, insulate the ground lead cable lug.

- 2 Unlock steering wheel and move to its lowest position

NOTE: See Operating Instructions

- 3 Remove upper steering column cover (3)

CAUTION: Risk of fracturing! Do not scratch the steering wheel.

NOTE:

- Only as of VIN A145273, X708319:
Loosen clips on the side and front. Gently squeeze the cover together and pull out between the steering wheel and instrument panel.

- 4 Remove side covers (12)

CAUTION: Danger of breaking retaining lugs. Do not damage instrument panel.

NOTE:

- **Up to VIN A145272, X708318:3 covers:**
Remove side covers first. Detach center cover from instrument panel and rotate so that the retaining lugs point upwards. Then pull out to the right.
- **As of VIN A145273, X708319:2 covers:**
First remove the right cover, then the left. It is not necessary to detach the connectors.
The covers can remain attached to the wiring harness.
- Long wedge: See **Special Tools** below.

- 5 Remove frame (5) of instrument cluster

CAUTION: Lift clips carefully, risk of fracture.

NOTE:

- Push the clips (4) outwards (arrow direction A) and ease the frame down towards the footwell (arrow direction B) until the top of the frame disengages.
- **Installation:**
 - Insert the hooks (6) of the frame into the bracket (13) and push the frame upwards until the clips snap into place
 - Insert the lugs (7) on the frame into the receptacles (8) on the instrument cluster.

- 6 Unscrew screws (9)

- 7 Remove expanding clips (10)

- 8 Pull instrument cluster (A1) forwards

- 9 Unlock, open and pull off connector (11)

- 10 Remove instrument duster

CAUTION: Make sure the steering wheel is not scratched.

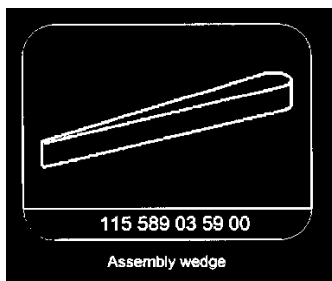
NOTE: Tilt the upper edge of the instrument cluster towards the steering wheel and move to the right out of the instrument panel

- 11 Install in the reverse order

- 12 Perform function check

- Instrument cluster (1C) diagnosis operational check

Special Tools



Assembly Wedge P/N # 115 589 03 59 00